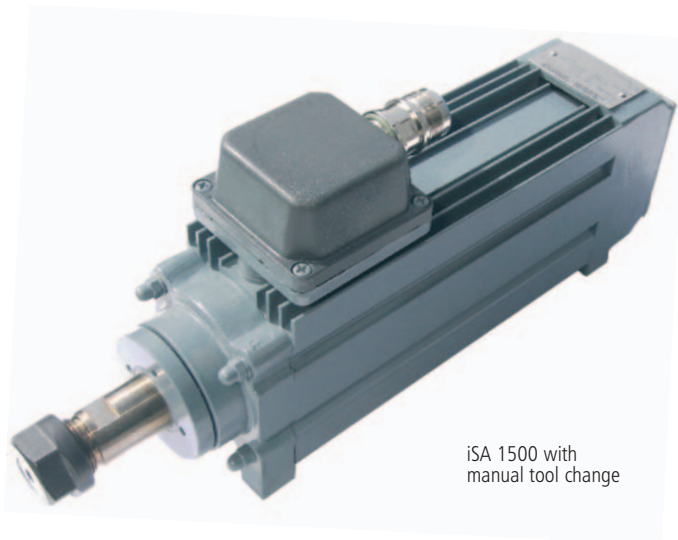


# Spindle Motor

# iSA 1500



## Features

- Robust two-pole AC motor (asynchronous motor)
- Rectangular design, protection class IP54, isolation class F
- Cast iron bearing plate A- and B-side
- Special shaft for holding drills and milling tools
- Nominal output 1.5 kW (S6-40% mode)
- Speed range 5,000 - 20,000 rpm
- Manual tool change
- Clamping range  $\varnothing 3 - 13$  mm
- Self-ventilation on B-side
- Speed control by frequency converter
- Spindle bearing:
  - 2 bearings on A-side (milling side)
  - 1 bearing on B-side (fan side)
- very narrow design, allows for row arrangement

## Options:

- CoolMin (internal and external)
- Mounting plate
- Circular connectors
- Different collets

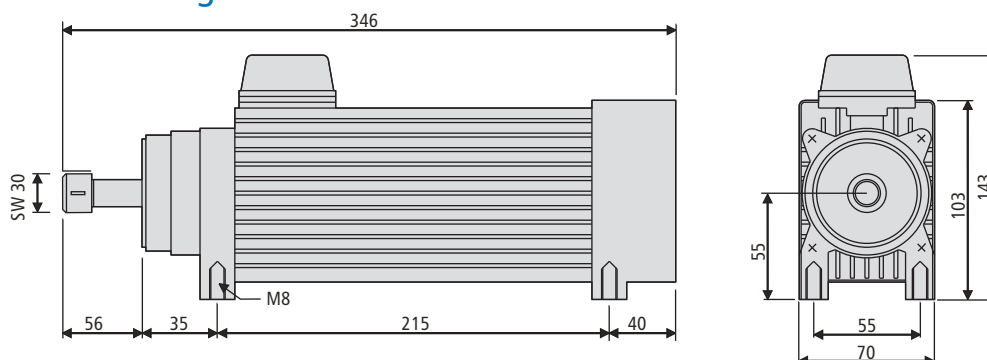
## Hint:

Special milling spindles up to 7.5 kW and 20,000 rpm on short call

## Technische Daten

Description		iSA 1500
Torque at nominal speed 20,000 rpm	[Nm]	2.2
Speed	[rpm]	5,000 to 20,000
Number of poles		2
Nominal voltage	[V]	3 x 200
S 6 = 40 % Nominal power	[kW]	1.5
Concentricity	[mm]	0.01
Weight	[kg]	6.5

## Dimensioned Drawings



## Order Data

Spindle motor iSA 1500  
Part number: **477510 3120**

Spindle motor iSA 1500  
with frequency converter  
Part number: **310610 3614**

Spindle motor iSA 1500  
with frequency converter and CoolMin  
Part number: **310610 3634**

CoolMin with segmented hose  
Part number: **239011 0119**

## Collets, Type ER 20

$\varnothing 6.0$  mm Part no.: **239172 6000\***  
 $\varnothing 8.0$  mm Part no.: **239172 8000**  
 $\varnothing 10.0$  mm Part no.: **239172 0100**  
 $\varnothing 12.0$  mm Part no.: **239172 0120**

\* contained in the iSA 1500 standard scope of supply

Subject to technical modifications without prior notice.