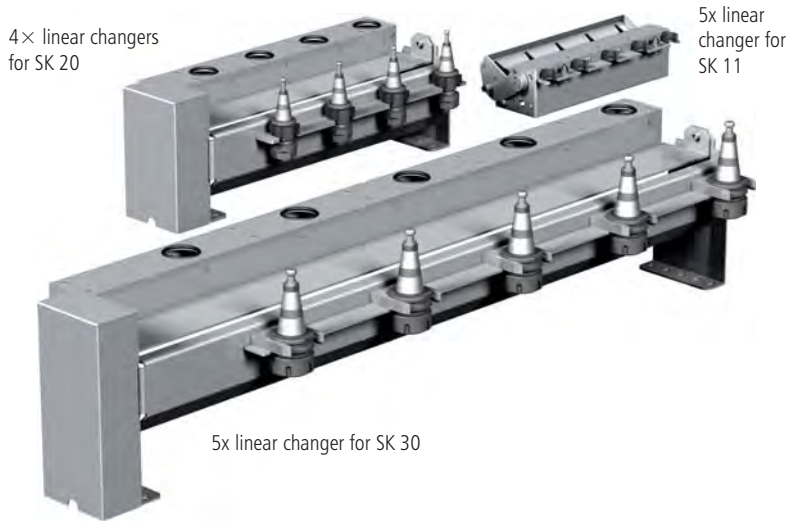


# Tool change stations

## SK 11 / 20 / 30

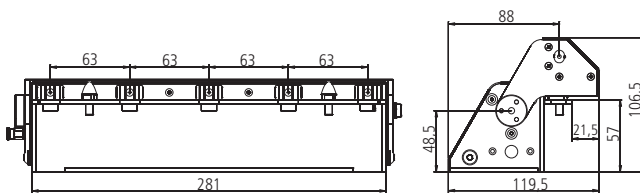


### Features

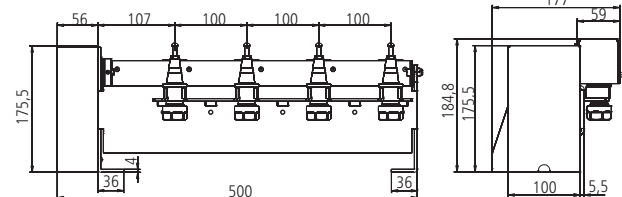
- Simple, functional tool changer for SK11, SK20 and SK30
- Pneumatic rotary cylinder and end position monitoring for safe changing
- Control via 5/2-way valve with integration in the safety circuit
- Low-maintenance, stainless steel design (powder-coated aluminium)
- Variable positioning on the machine bench

### Dimensioned drawings

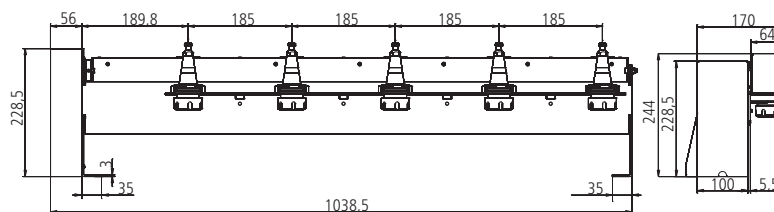
SK 11 tool changer



SK 20 tool changer



SK 30 tool changer



### Ordering information

#### SK 11 tool change station ... for iSA 900

5x, without hood + pneumatics  
Part no.: **239011 0053**

8x, with hood + pneumatics  
Part no.: **239011 0083**

#### Tool holders

SK 11 for collets, type ER 11  
Part no.: **239111 0001**

#### SK 20 tool change station ...for iSA 2200

4x, with hood + pneumatics  
Part no.: **239011 0041**

5x, without hood + pneumatics  
Part no.: **239011 0050**

10x, with hood + pneumatics  
Part no.: **239011 0100** (to order)

#### Tool holders

SK 20 for collets, type ER 20  
Part no.: **239172 0020**

#### SK 30 tool change station ...for iSA 3600

4x, with hood + pneumatics  
Part no.: **239011 0045**

5x, without hood + pneumatics  
Part no.: **239011 0055**

#### Tool holders

SK 30 for collets, type ER 32  
Part no.: **239130**

collets ER 11, ER 20, ER 30  
see page 5-32

Subject to technical changes.